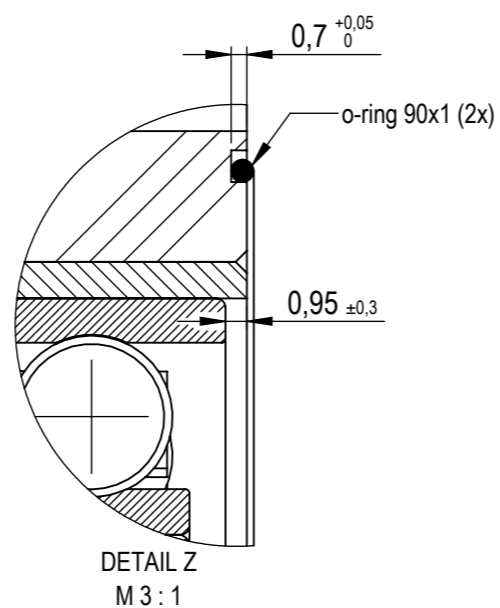
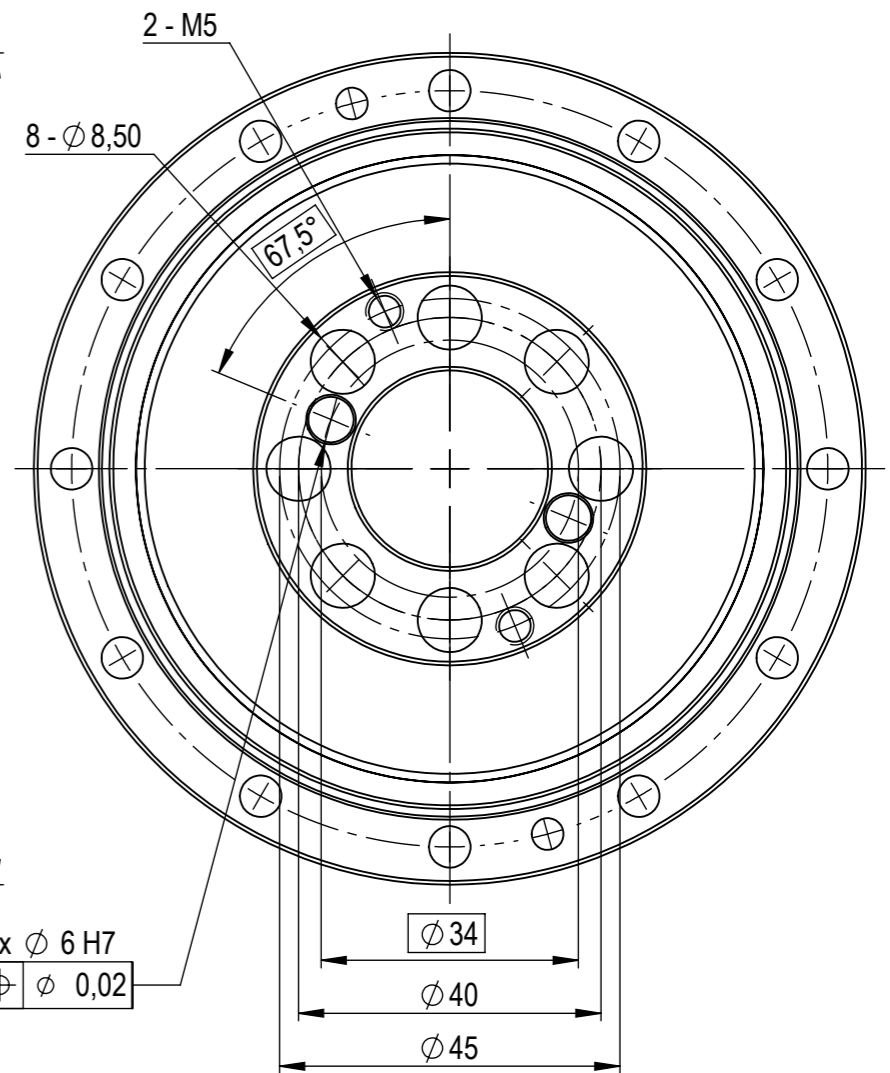


SECTION A-A



General Tolerances ISO 2768-mH		change		xxx: insert drawing no.+rev
date	name	part number	weight	0.970 (kg)
created	13.01.2020	O. Brueck	material	
change			surface	
release	24.02.2021	O. Brueck	gear size	32 (80mm) ratio
drawing no.		C-MC-32-XXX-CU	revision	01.e
sheet size		A3	page	1 of 1
scale		1:1		

Innowelle GmbH, D-35625 Hüttenberg

Refer to protection notice ISO 16016

24.02.2021 07:32:04