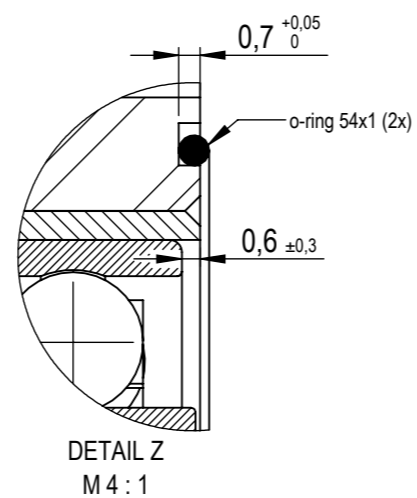
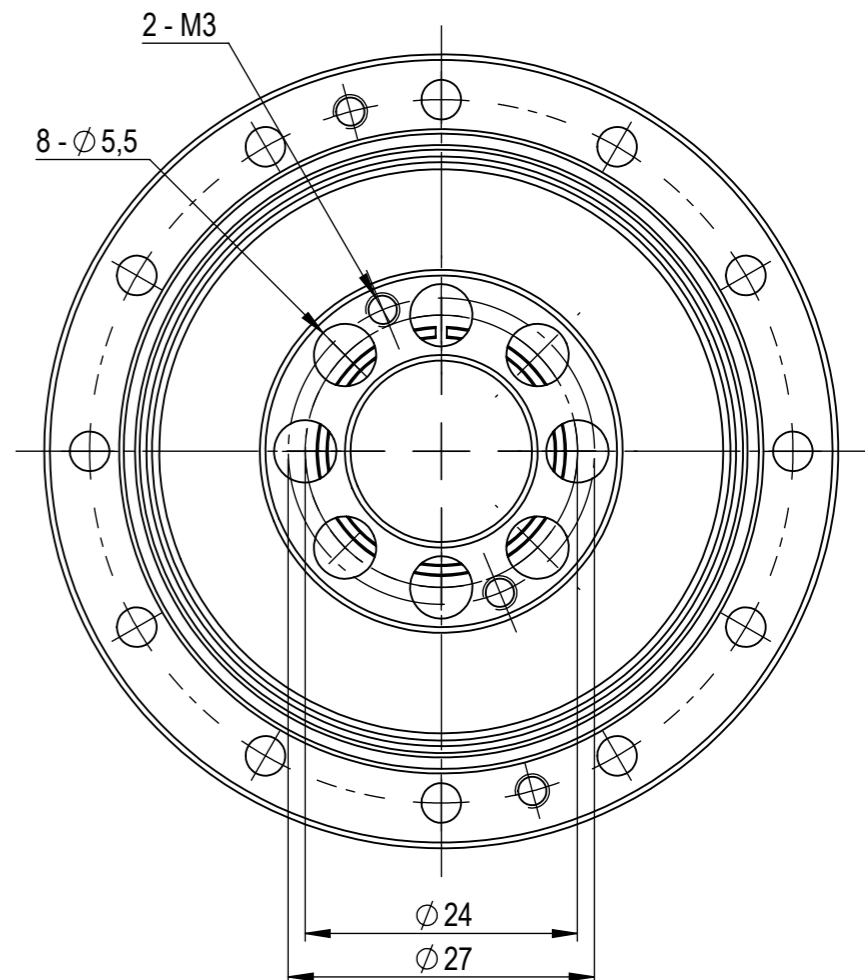


SECTION A-A



General Tolerances ISO 2768-mH			change		xxx: insert drawing no.+rev
date	name	part number	description	weight	0.244 (kg)
created	13.01.2020	O. Brueck	Component Kit	material	
change			Motor shaft closed flexspline	surface	
release	24.02.2021	O. Brueck		gear size	20 (50mm) ratio
			drawing no.	revision	01.e
			C-MC-20-XXX-CU	sheet size	A3
				page	1 of 1
				scale	1:1

Innowelle GmbH, D-35625 Hüttenberg

Refer to protection notice ISO 16016

24.02.2021 07:29:04