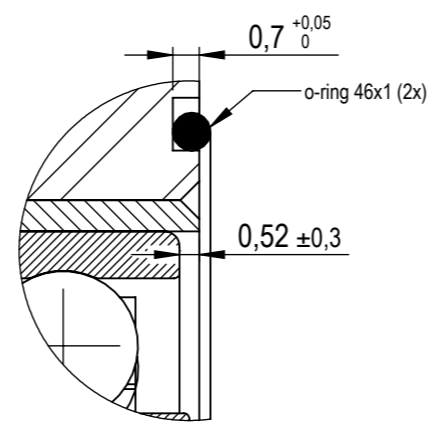
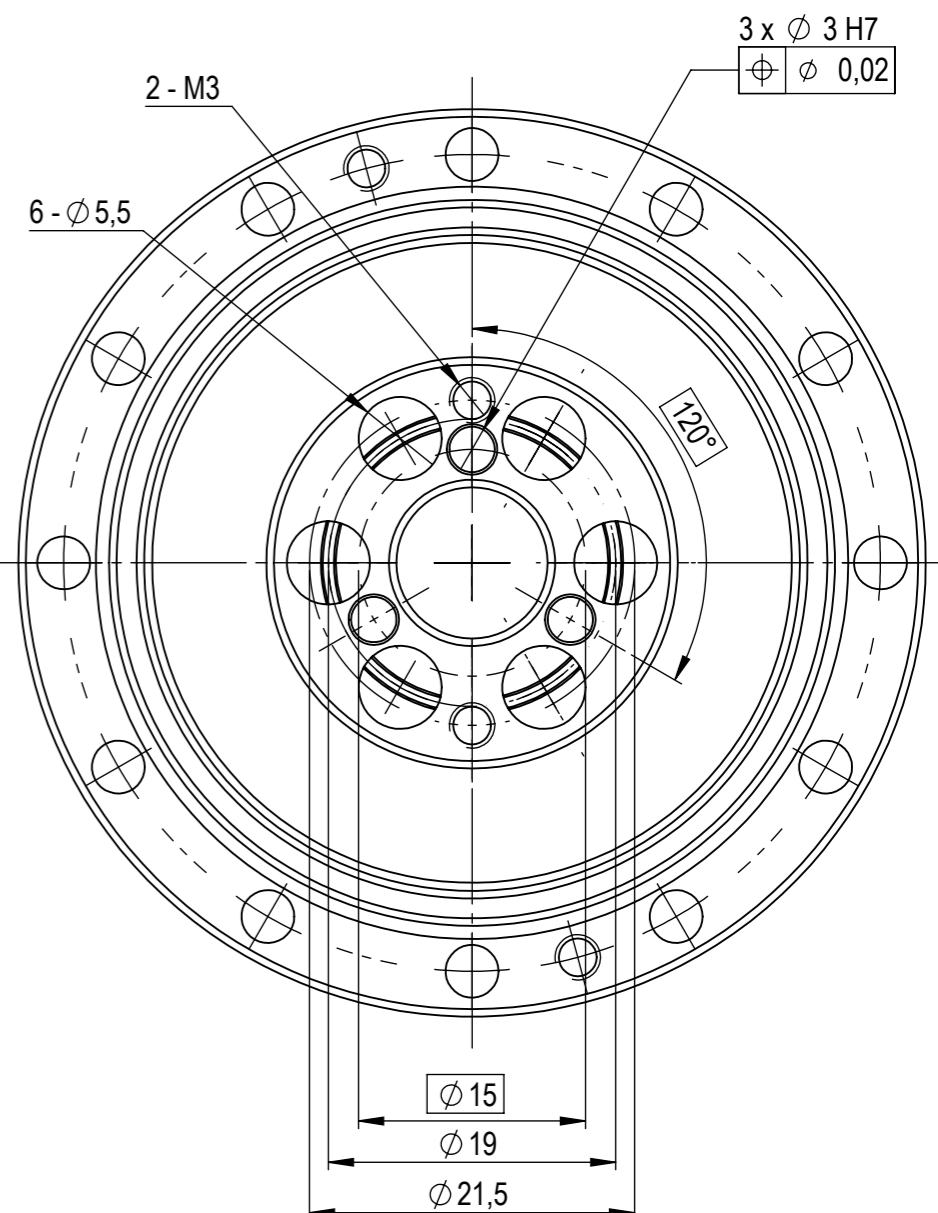


SECTION A-A



General Tolerances ISO 2768-mH		change		xxx: insert drawing no.+rev	
date	name	part number	weight	0.161 (kg)	
created	10.01.2020	O. Brueck	material		
change			surface		
release	24.02.2021	O. Brueck	gear size	17 (42mm)	ratio
		drawing no.	revision	01.e	sheet size A3
		INNOWELLE	C-MC-17-XXX-CU	page	1 of 1
		Innowelle GmbH, D-35625 Hüttenberg	Refer to protection notice ISO 16016	scale	2:1
				24.02.2021 07:27:42	