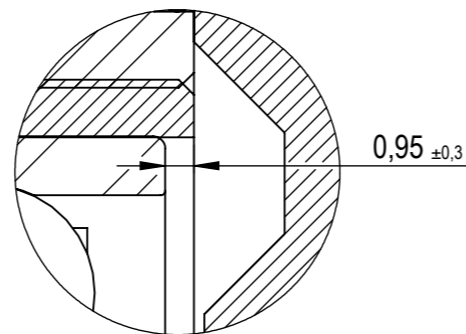
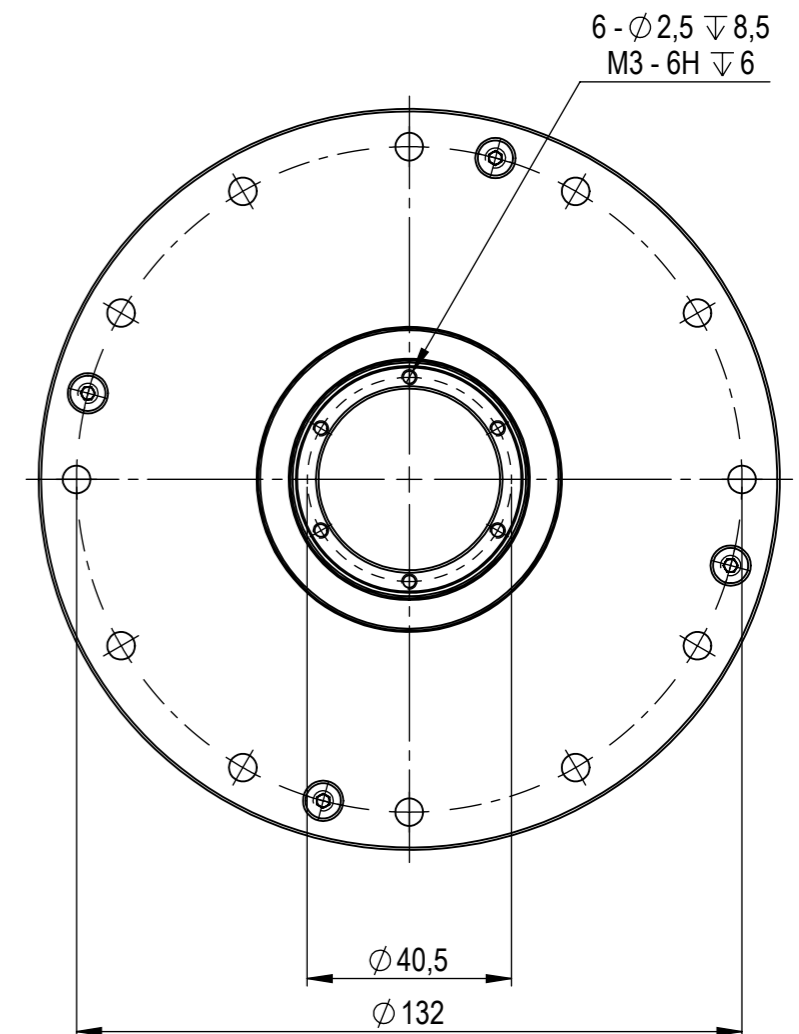


SECTION A-A



DETAIL Z
 M 4 : 1

General Tolerances ISO 2768-mH		change		xxx: insert drawing no.+rev	
date	name	part number	weight	3.999 (kg)	
created	12.12.2018	O. Brueck	description	Box	
change				Hollow shaft open Flexspline	
release	24.02.2021	O. Brueck	drawing no.	revision	02
			B-HO-32-XXX-CU	sheet size	A3
				page	1 of 1
				scale	1:1.5

Innowelle GmbH, D-35625 Hüttenberg

Refer to protection notice ISO 16016

24.02.2021 07:23:06