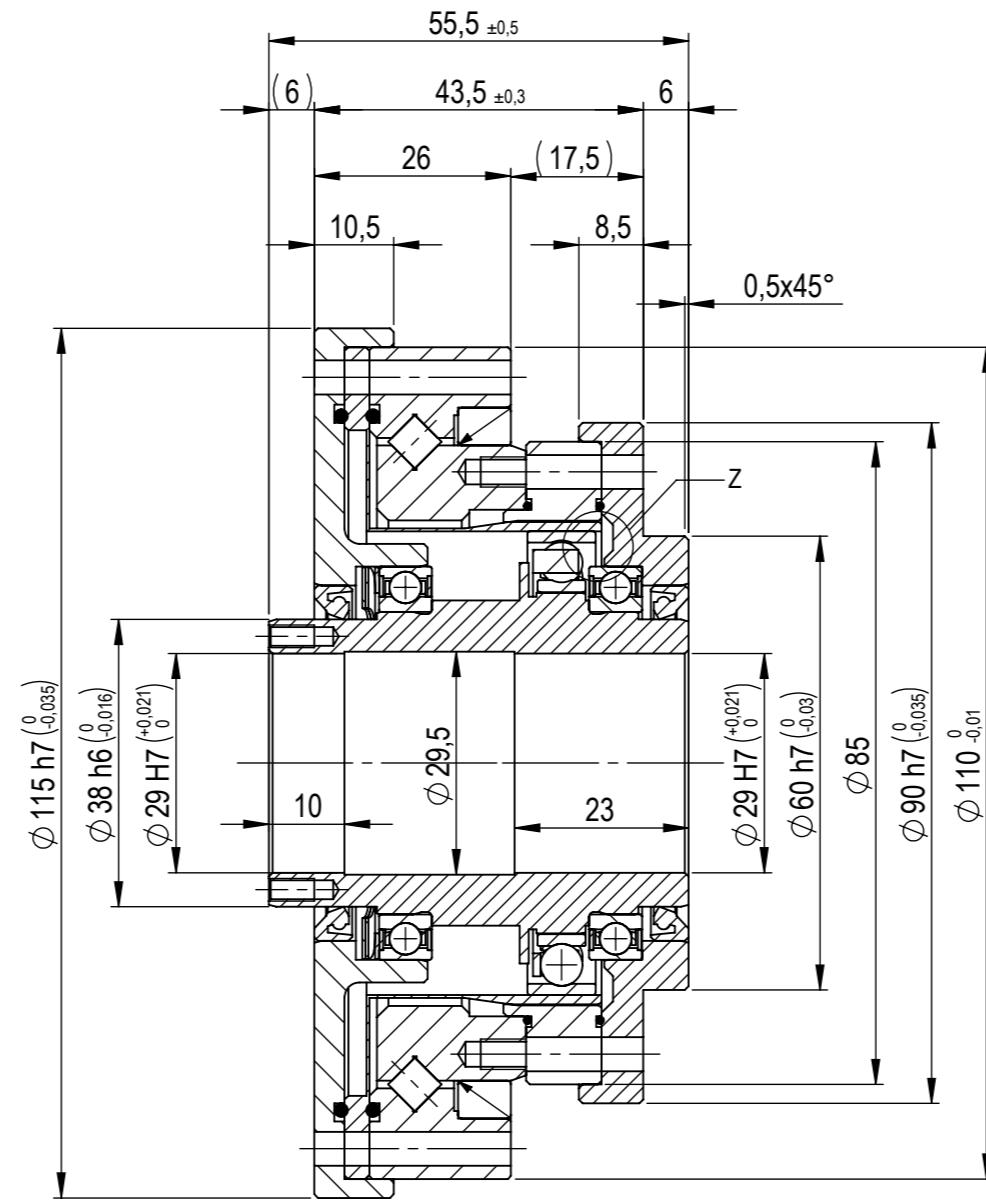
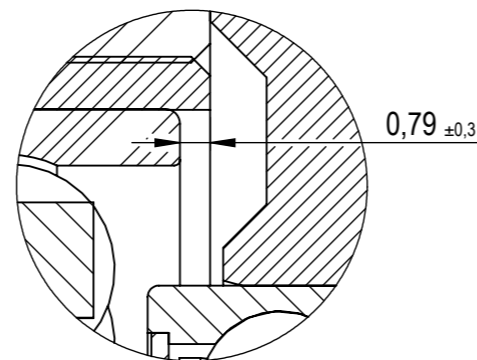
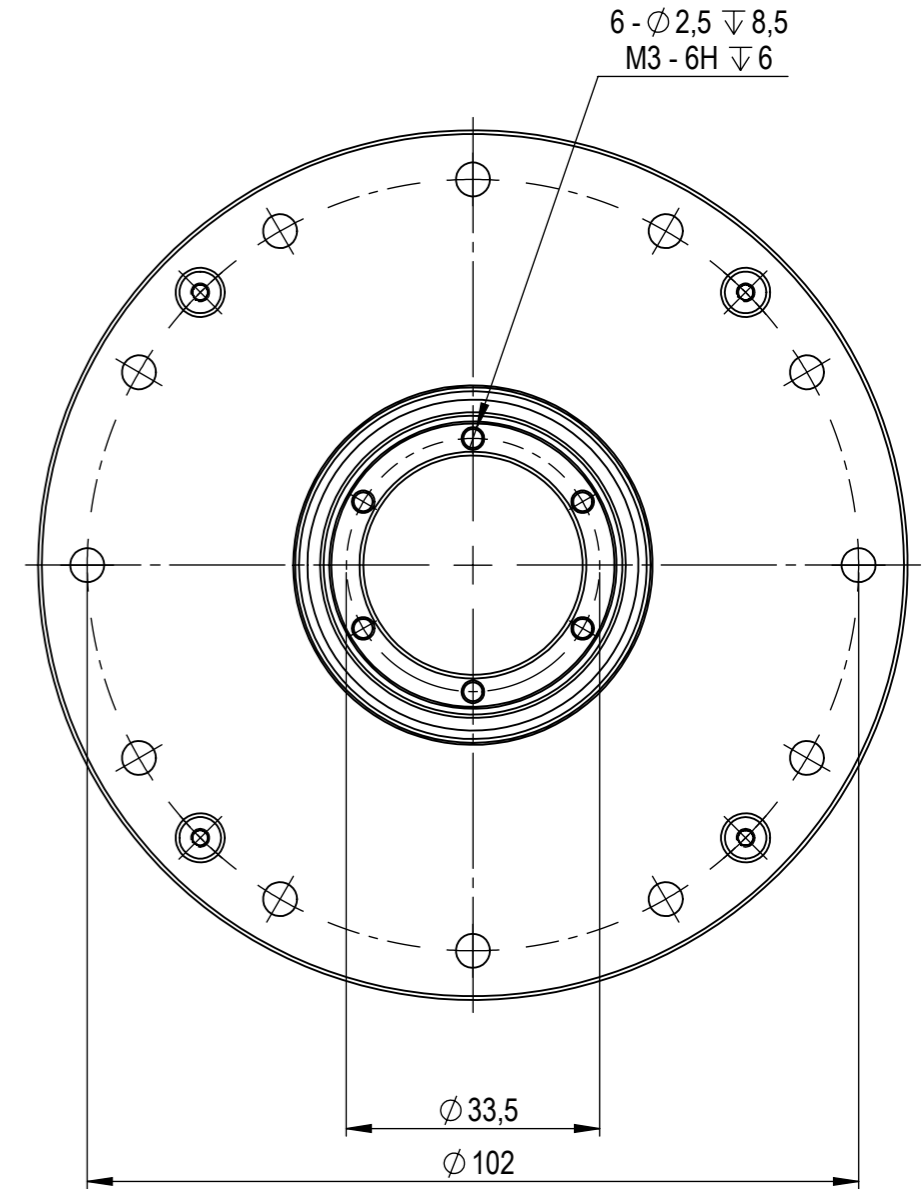


16 -  $\varnothing 3,3 \nabla 8$   
M4 - 6H  $\nabla 6$



SECTION A-A



DETAIL Z  
M 5 : 1

<b>General Tolerances</b> ISO 2768-mH		change		xxx: insert drawing no.+rev	
date	name	part number	weight	1.970 (kg)	
created	12.12.2018	O. Brueck	description	Box	
change			Hollow shaft open Flexspline		
release	24.02.2021	O. Brueck	drawing no.	revision	01.a
		drawing no.		sheet size	A3
		B-HO-25-XXX-CU		page	1 of 1
				scale	1:1

Innowelle GmbH, D-35625 Hüttenberg

Refer to protection notice ISO 16016

24.02.2021 07:21:51