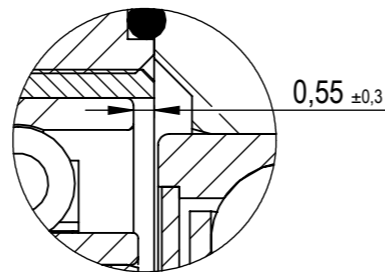
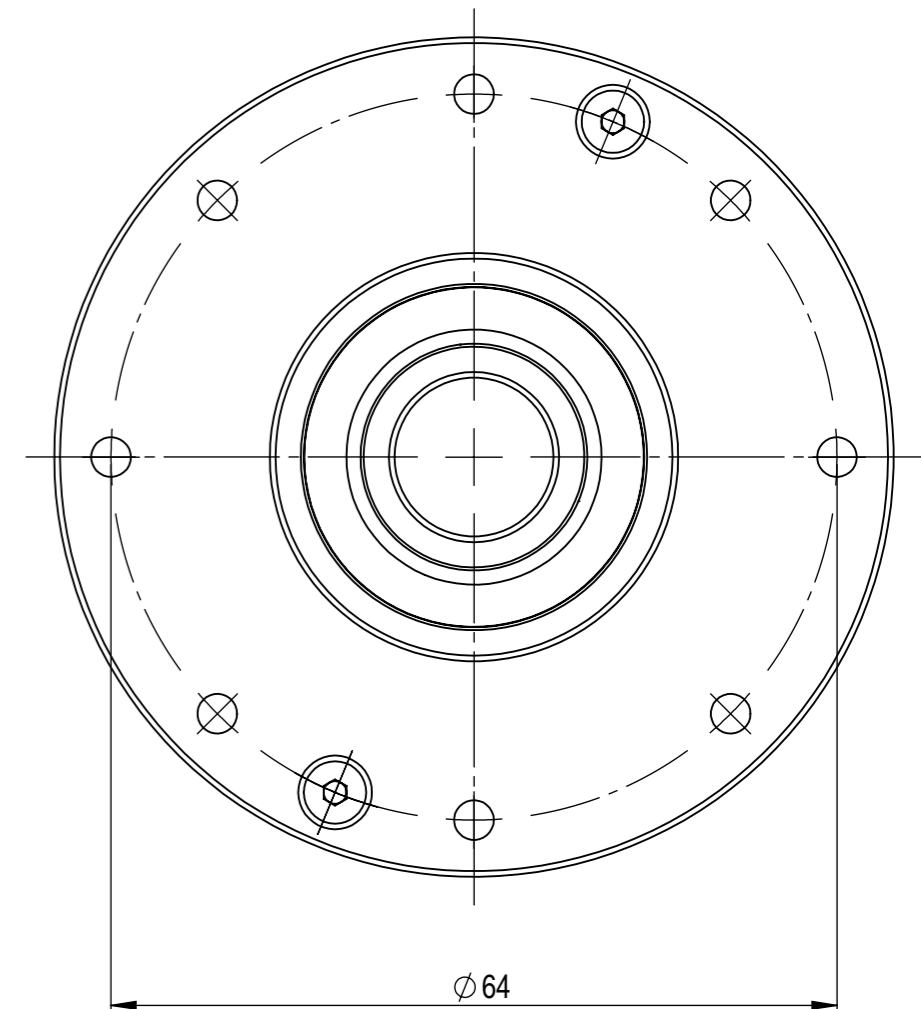


SECTION A-A



DETAIL Z
M 5 : 1

General Tolerances ISO 2768-mH		change screws	xxx: insert drawing no.+rev
date	name	part number	weight 0.682 (kg)
created 06.03.2019	O. Brueck	description Box Hollow shaft open Flexspline	material
change 19.03.2021	O. Brueck		surface
release 19.03.2021	O. Brueck		gear size 14 (35mm) ratio
drawing no.		revision	sheet size A3
B-HO-14-xxx-CU		01	page 1 of 1
Innowelle GmbH, D-35625 Hüttenberg		Refer to protection notice ISO 16016	scale 1.5:1
		19.03.2021 09:09:43	